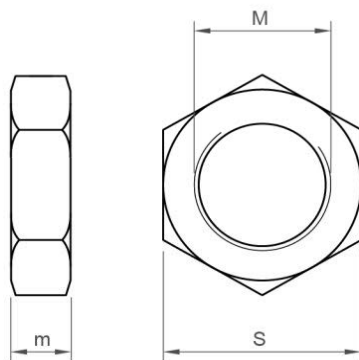


DIN 936 ZN / ISO 4035 (SIMILAR)

CONTRATUERCA HEXAGONAL ZINCADA



M

5

6

8

10

12

14

16

18

20

22

24

27

30