

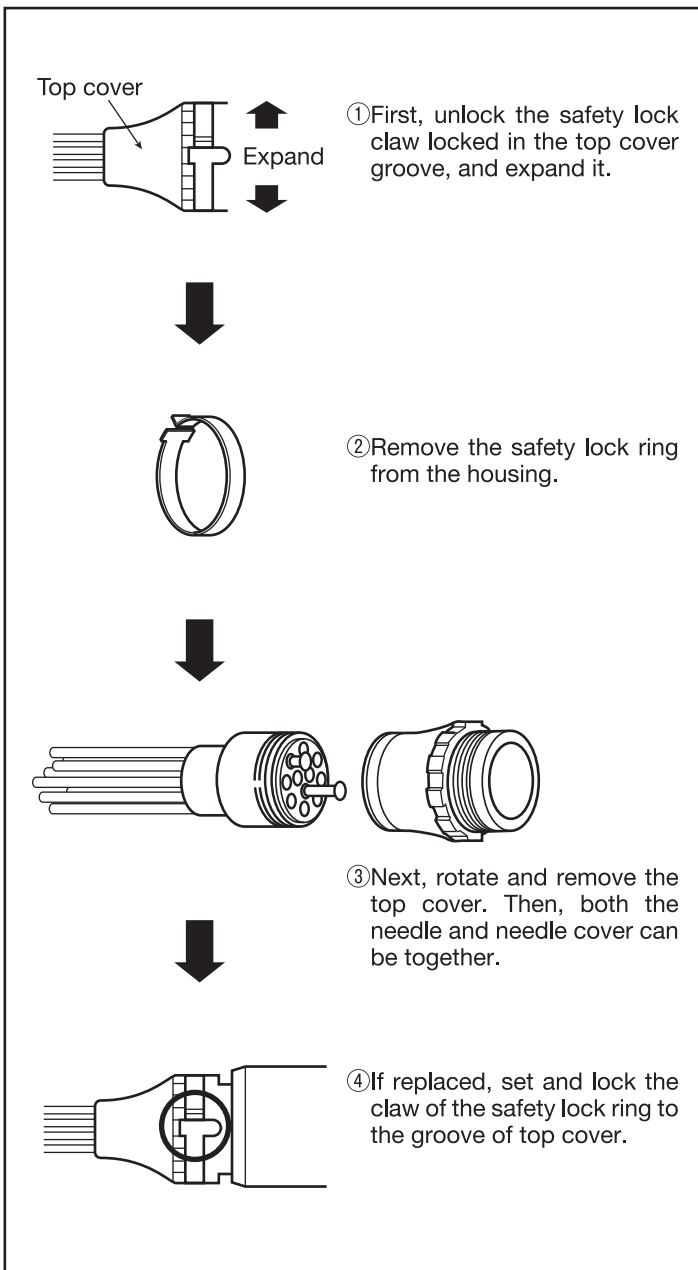
## INSTRUCTION MANUAL FOR NEEDLE SCALERS

### Operation Procedures

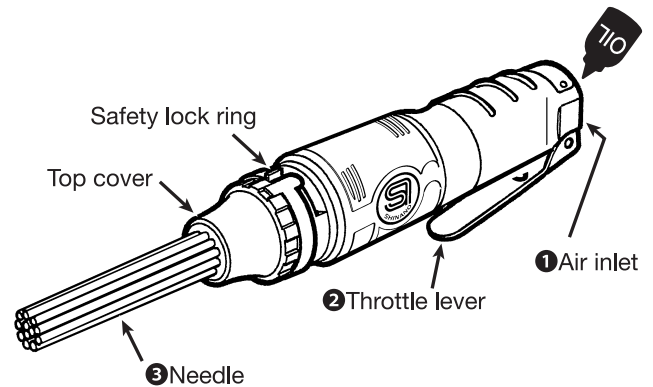
1. Connect the coupler to the air inlet ① on the rear side of the tool.
2. Pour approx. 0.5cc (2 to 3 drops) of the oil through the coupler. Connect it to the air hose, and run for 3 to 5 seconds to circulate the oil.
3. Some rebounds will occur during operation. Firmly retain the tool in both hands, slowly pull the throttle lever ②, and start the operation.
4. Release the throttle lever to stop the operation.

### How to replace the needle

- When the tip of the needle is damaged or bent, replace the needle ③.

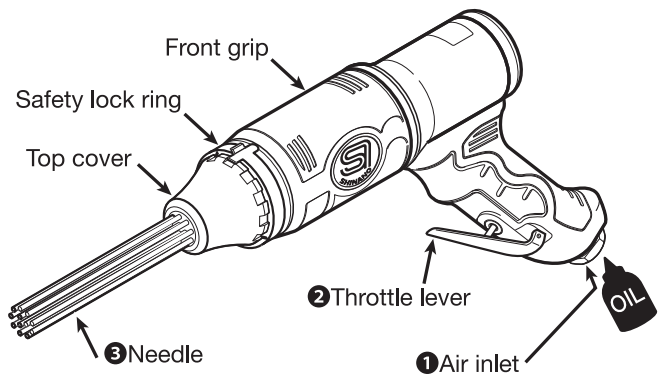


### SI-4150EX



Accessories :  $\phi$ 3x180mm Needle (12)  
Safety Instructions (1)

### SI-4160



Accessories :  $\phi$ 3x180mm Needle (12)  
Safety Instructions (1)



For replacement of the needle, be sure to remove the air hose.

## SI-4150EX / SI-4160

| Model Number     | Stroke Length mm | Free Blow Speed spm | Weight kg/(lb) | Noise Level dBA/(power) | Vibration m/s <sup>2</sup> | Avg. Air Consumption CFM |
|------------------|------------------|---------------------|----------------|-------------------------|----------------------------|--------------------------|
| <b>SI-4150EX</b> | Max 4.5          | 3,500               | 2.06/(4.53)    | 97/(107)                | 13.0                       | 1.3                      |
| <b>SI-4160</b>   | Max 4.5          | 3,300               | 2.19/(4.83)    | 95/(108)                | 14.1                       | 1.4                      |

Noise levels according to ISO 15744      Vibration level to ISO 8662

## WARNING

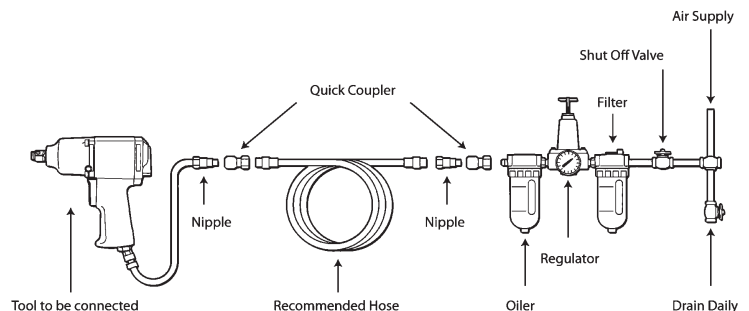
- Use the needle of our original product.
- Before operation, check if the claw of the safety lock ring is firmly locked in the groove of the top cover.
- Avoid using the tool, exceeding the specification, or forced services exceeding the capability.
- Vibration is inevitable. Therefore, avoid continuous works for long time.
- Wear the safety goggles during operation. In addition, be sure to wear on thee safety mask for the operation, because dust powder occurs.

## CAUTION

- Operate the tool within the air pressure of 0.63MPa (6.5kg/cm<sup>2</sup>). If operated in high pressure, the maximum allowance speed will be exceeded, which may result in damage of components.
- Before or after daily use, lubricate a few drops of air tool oil from the hose attached port.
- The compressed air containing dust or/and moisture will result in damage of tool. Be sure to operate the tool with air through the drainage and air filter.
- Regarding to this product, if inconvenient claims or troubles occurred, contact the product distributor.

## AIR SUPPLY

|                         |                                   |
|-------------------------|-----------------------------------|
| Pressure at the working | <b>0.63MPa<br/>(90PSI 6.3bar)</b> |
| Max Hose Length         | <b>10m<br/>(30ft)</b>             |
| Lubrication             | <b>Daily<br/>Lubricating oil</b>  |



 **SHINANO INC.**

<http://www.shinanoinc.com>

MADE IN JAPAN