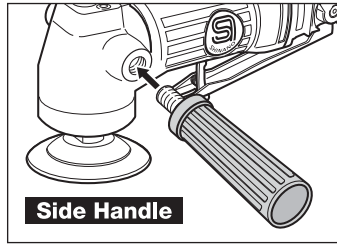
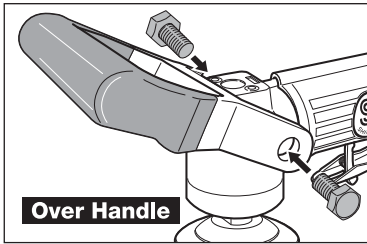


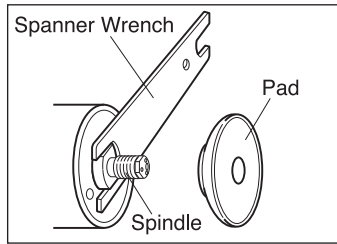
## INSTRUCTION MANUAL FOR WET SANDER

### Preparation for Operations

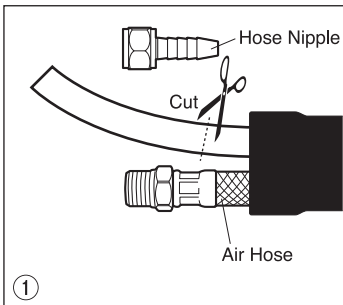
1. Install the over handle or the side handle in the motor housing, as shown in the illustration.



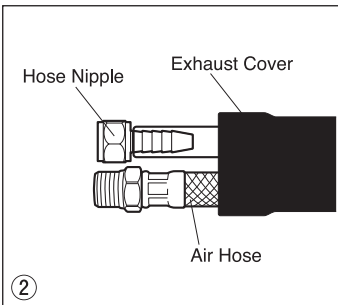
2. Firmly mount the pad so the spindle not to turn with the spanner wrench, thus turning it counterclockwise, as shown in the illustration.



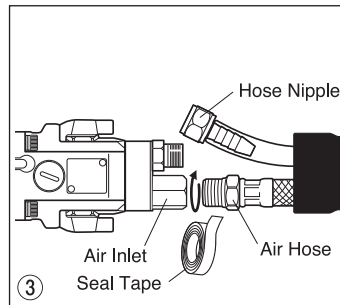
3. Connect the air hose and water hose respectively.



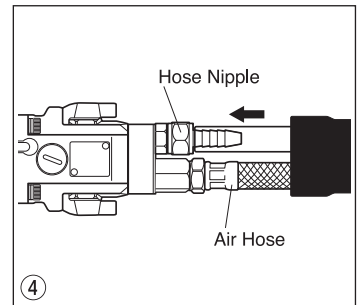
- ① Cut the Water Hose and adjust the length as same as the Air Hose.



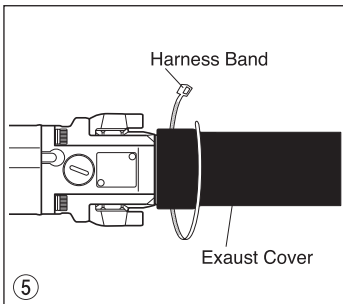
- ② Insert the Hose Nipple into the Water Hose.



- ③ Seal tape on the Air Hose Nipple and screw it in the Air Inlet on the tool.

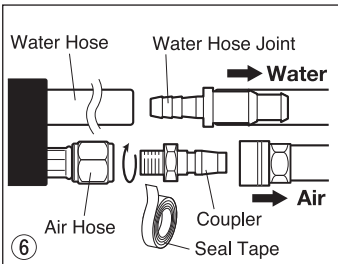


- ④ Put the Water Hose Nipple in the Water Inlet and fix it by the nut on the nipple.

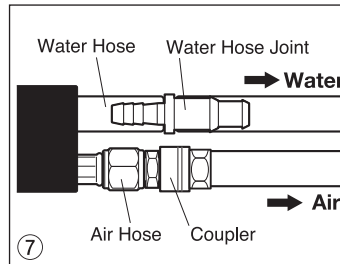


- ⑤ Check the Air and Water leak from the Hose connection. Put the Exhaust Cover on the tool and fix it by the Harness Band which enclosed in the box.

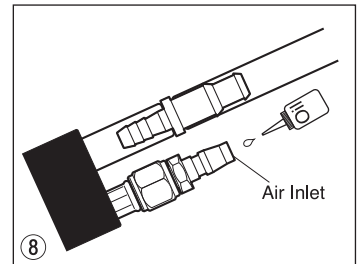
### Rear side of hose



- ⑥ Insert the Water Hose joint into the Water Hose, and connect it to the hose on the water faucet side, as shown in the illustration.



- ⑦ Similarly connect the Air Hose to the compressor, as shown in the illustration.



- ⑧ Prior to operations, inject approx. 0.5cc (2 to 3 drops) air tool oil from the Air Inlet. And carry out the test run for 3 to 5 seconds, and allow air to circulate oil all over the tool.

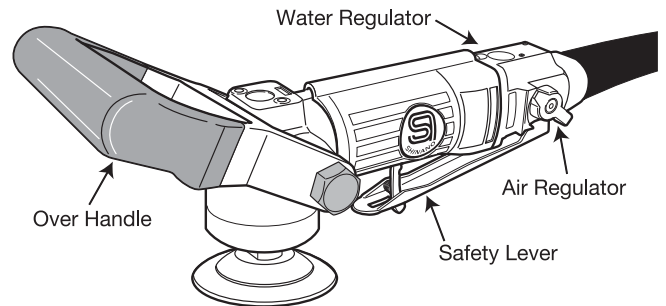
\* Before the tool is stored after operations, be sure to inject oil therein.

### General drawing



SI-2322WR-LE

Max.rpm : 5,000rpm



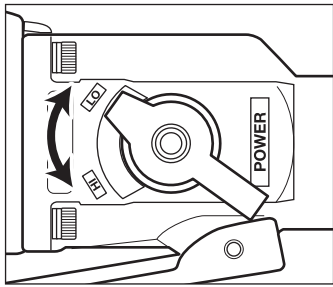
### Accessories :

Over handle (1), Side handle (1), Bolt (2), Hose nipple (1),  
Air hose / Water hose kit with Exhaust cover (1),  
Water hose joint (1), Harness band (1), Spanner wrench (1)

## Operation procedures

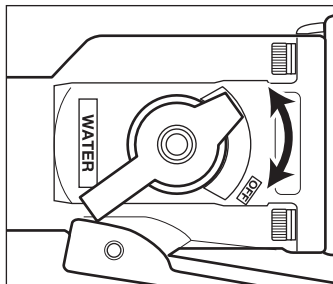
1. Prior to connection to the air hose, check positions of the air regulator's lever and water regulator's lever, and adjust it if necessary.

### Air Regulator



- Clockwise (right) turn  
.....High speed
- Counterclockwise (left) turn  
.....Low speed

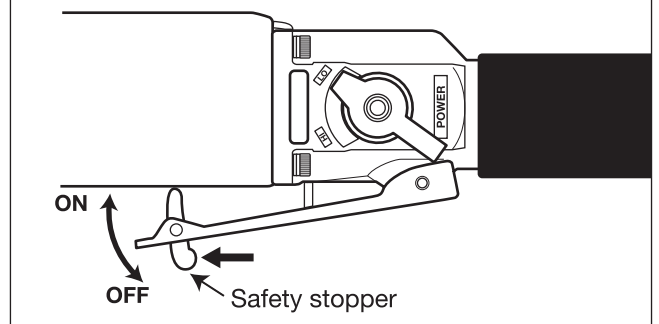
### Water Regulator



- Clockwise (right) turn  
.....Water volume low/Off
- Counterclockwise (left) turn  
.....Water volume high

2. The switch is a stopper attached safety lever. Press the stopper to the direction of arrow, and it is unlocked to start. Release the lever, and it is locked to stop.

### <Safety lever>



## Maintenance

- During operation, lubricate the air tool oil, if necessary. Lubricate a few drops of oil from the air inlet, and operate it for a few seconds so as for oil to diffusing into the whole housing.
- After operations, air-blow moisture attached to the machine body, and cleanly wipe off the dirty moisture. And lubricate a few drops of air tool oil from the air inlet. After a few seconds operations, store the tool in dry place.
- Keep the hose attached port clean so as to prevent dust to enter from the air inlet into the housing.

## Troubleshooting

### In case of no operation and wrong operation

1. Check if the sufficient air is supplied with adequate pressure.
2. Check if the air hose is connected in place, and air leak found or not.
3. Check if the air regulator lever is opened.
4. Considering oil level down, try idling operation in lubrication.

### Water won't come out

1. Check if sufficient water is supplied from the faucet.
2. Check if water leaks or clogs, while the water hose is connected in place.
3. Check if the water adjusting lever is opened.
4. Check if the water injecting nozzle is clogged with dust.

## ⚠ WARNING

- Make sure to install the handle and the pad so as not to loosen.
- Use the pad and polishing materials specific and adequate to this machine.
- In order to replace or install the pad and polishing material and other attachments, be sure to remove the air hose.
- Be sure to use the dry and clean compressed air.
- Don't use the tool in pressure exceeding air pressure 0.63Mpa.
- The air tool is precious machine. Don't throw, drop or give a strong shock thereto, which will cause damage to the machine.
- Avoid using the tool beyond the usage, and forced operations exceeding the performance.
- If irregular noise or vibration should occur, or tool performance is deteriorated, immediately stop the operation. Check if any failure such as a breakage is found in attachments or the machine. If troubles are not resolved, though the attachment has been replaced or lubricated, contact to the purchase shop.