

# INSTRUCTION MANUAL FOR IMPACT WRENCHES

## Operation Procedures

1. Connect the coupler to the air inlet ①.

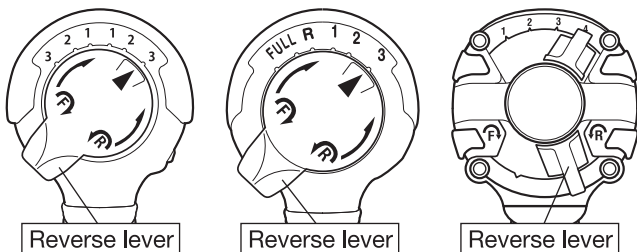
**SI-1490B  
SI-1490BSR Only**

The air inlet rotates in the 360 degree range, so that the air hose can be easily turned.



2. Before the air hose is joined thereto, make sure in which direction the reverse lever is set clockwise (right) or counterclockwise (left).

SI-1605(3/8") SI-1605SR(3/8") SI-1490B(1/2")  
 SI-1610(1/2") SI-1610SR(1/2") SI-1490BSR(1/2")



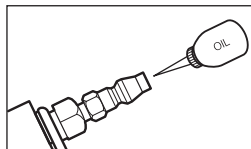
(F) Clockwise (right): Fasten

(R) Counterclockwise (left): Loosen

Be sure to rotate left or right full until a click sounds.

**Note:** Be careful that the reverse lever can rotate down or stop at the half position.

3. Pour approx. 0.5cc (2 to 3 drops) of the oil through the coupler. Connect it to the air hose, and run for 3 to 5 seconds to circulate the oil.



4. Securely mount the impact socket on the anvil.  
 5. Prior to start the real operation, adjust the regulator lever to scale numbers for torque adjustment.

Yellow (SI-1490B)  
Red (SI-1490BSR)

SI-1605(3/8") SI-1605SR(3/8") SI-1490B(1/2")  
 SI-1610(1/2") SI-1610SR(1/2") SI-1490BSR(1/2")

(F) : ①~③ (F) : ①~③ (F) : ①~④  
 (R) : ①~③ (R) : Full Power (R) : ①~④  
 (R) : ①~④ (R) : Full Power

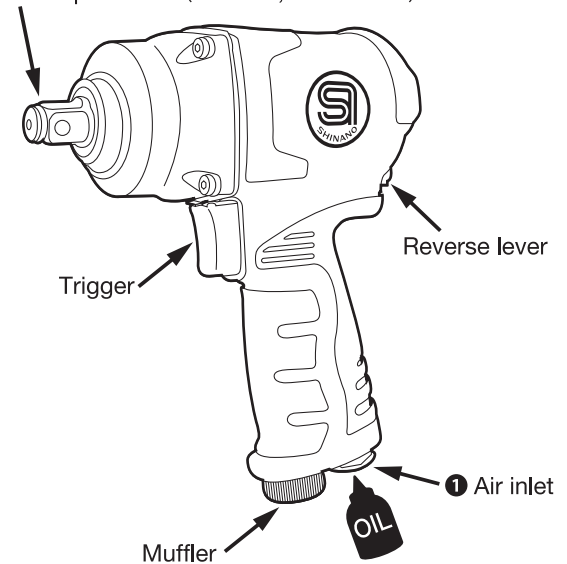
※SR (Super Reverse) Type : Automatically full power in reverse setting.

6. Pull the feather touch trigger for operation, and release it to stop the operation.

**SI-1605(3/8")** Max. Torque : 350 Nm  
**SI-1605SR(3/8")**

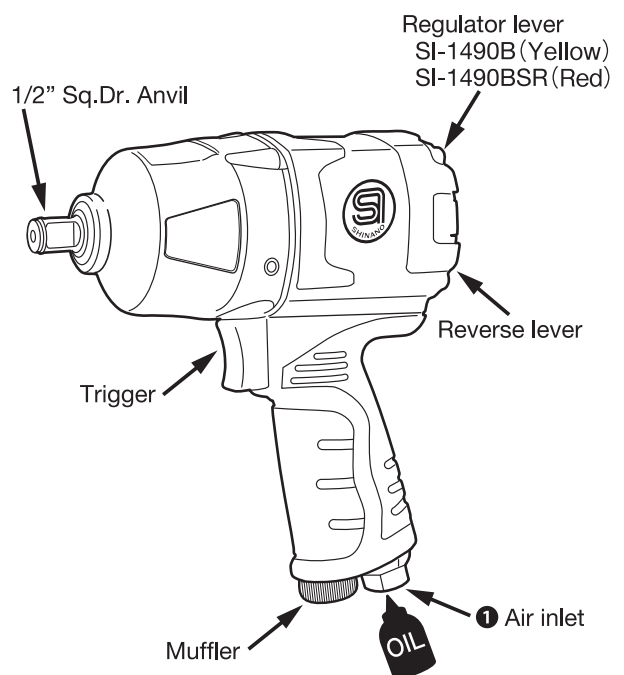
**SI-1610(1/2")**  
**SI-1610SR(1/2")** Max. Torque : 450 Nm

3/8" Sq.Dr. Anvil (SI-1605, SI-1605SR)  
 1/2" Sq.Dr. Anvil (SI-1610, SI-1610SR)



**Attachment : Muffler (1),  
Muffler Retainer (1)**

**SI-1490B(1/2")** Max. Torque : 850 Nm  
**SI-1490BSR(1/2")**



**Attachment : Muffler (1),  
Muffler Retainer (1)**

## SI-1605 / SI-1605SR / SI-1610 / SI-1610SR / SI-1490B / SI-1490BSR

Model Number	Max. Torque Nm/(ft-lb)	Working Torque Range Nm/(ft-lb)	Bolt Cap mm/(in.)	Free Speed r.p.m	Weight kg/(lb)	Noise Level dBA/(power)	Vibration a/k m/s <sup>2</sup>	Avg. Air Consumption CFM	Air Inlet Size in.	Hose Size mm/(in.)
<b>SI-1605</b>	350/(258)	0-280/(0-207)	16/(5/8)	(F) 8,000 (R) 8,500	1.03/(2.27)	94/(105)	11.8/1.6	3.8	1/4	10/(3/8)
<b>SI-1605SR</b>	350/(258)	0-280/(0-207)	16/(5/8)	(F) 8,000 (R) 8,500	1.03/(2.27)	94/(105)	11.8/1.6	3.8	1/4	10/(3/8)
<b>SI-1610</b>	450/(332)	0-320/(0-258)	18/(11/16)	(F) 8,000 (R) 8,500	1.04/(2.29)	93/(104)	7.7/1.2	3.8	1/4	10/(3/8)
<b>SI-1610SR</b>	450/(332)	0-320/(0-258)	18/(11/16)	(F) 8,000 (R) 8,500	1.04/(2.29)	94/(105)	8.6/1.3	3.8	1/4	10/(3/8)
<b>SI-1490B</b>	850/(627)	0-620/(0-457)	20/(3/4)	(F) 8,000 (R) 8,500	1.99/(4.39)	94/(105)	11.4/1.6	5.1	1/4	10/(3/8)
<b>SI-1490BSR</b>	850/(627)	0-620/(0-457)	20/(3/4)	(F) 8,000 (R) 8,500	1.99/(4.39)	94/(105)	11.4/1.6	5.1	1/4	10/(3/8)

Noise levels according to ISO 15744:2008, ISO 11203:2009

Vibration level according to ISO 28927:2

### **WARNING**

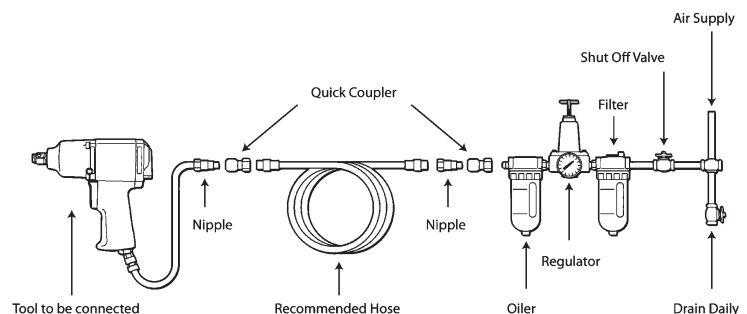
- Avoid using the tool for the other purpose than the usage, and do the impossible operation beyond the ability.
- Be sure to employ the impact socket. Furthermore, neither use the damaged socket nor the different size socket.
- For replacement of impact socket, be sure to dismount the air hose.

### **CAUTION**

- Avoid unnecessary idling run, which will encourage to wear and result in trouble.
- The air tool is a precious tool. Be careful not to throw or drop the tool, or give a strong shock thereto.
- After operations, be sure to prevent dusts from entering at the air inlet. This may result in power down.
- Operate the tool within the air pressure of 0.63MPa (6.5kg/cm<sup>2</sup>). If operated in high pressure, the maximum allowance speed will be exceeded, which may result in damage of components.

## AIR SUPPLY

Pressure at the working	<b>0.63MPa (90PSI 6.3bar)</b>
Max Hose Length	<b>10m (30ft)</b>
Lubrication	<b>Daily Lubricating oil</b>



 **SHINANO INC.**

<http://www.shinanoinc.com>

MADE IN JAPAN