

SI-2700 (10/12mm)
SI-2800 (20mm)

SI-2740 (10/12mm)
SI-2830 (30mm)

SHINANO INC.

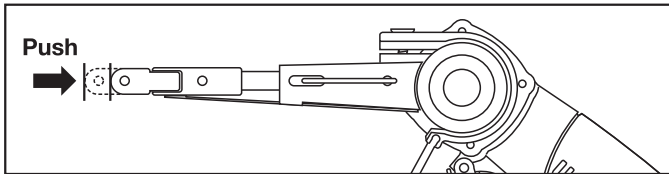
INSTRUCTION MANUAL FOR BELT SANDERS

Operation Procedures

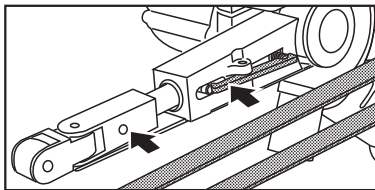
1 Connect the coupler to the air inlet **1** on the rear side of the tool.

2 Connect the air hose, before install the belt paper.

1. Continue to depress the tool tip until locked. The tension arm will shrink so easy as to install the belt paper.

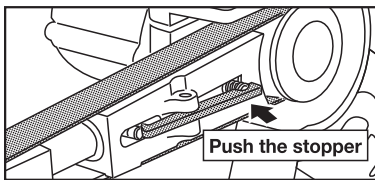


2. Install the belt paper, adjusting to the roller width of the shrunken arm.

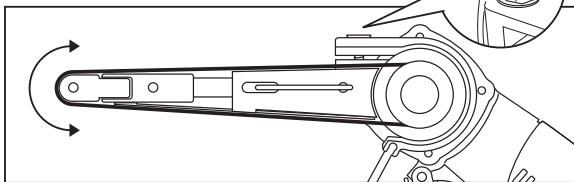


3. After installation, push the stopper **2**.

The lock is released and the belt paper fully expand.

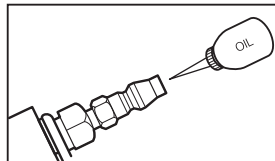


3 Adjust the arm angle with the arm angle adjust screw **3** in accordance with work usage.



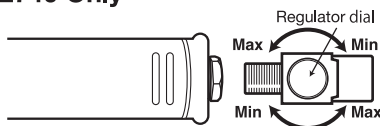
4 To start operation, press the throttle lever. To stop operation, release the lever.

5 Pour approx. 0.5cc (2 to 3 drops) of the oil through the coupler. Connect it to the air hose, and run for 3 to 5 seconds to circulate the oil.



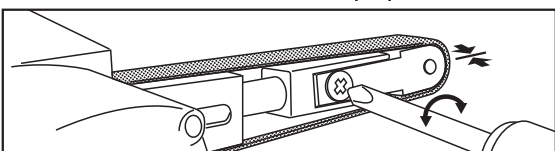
How to Adjust the Belt Speed with Regulator

SI-2740 Only

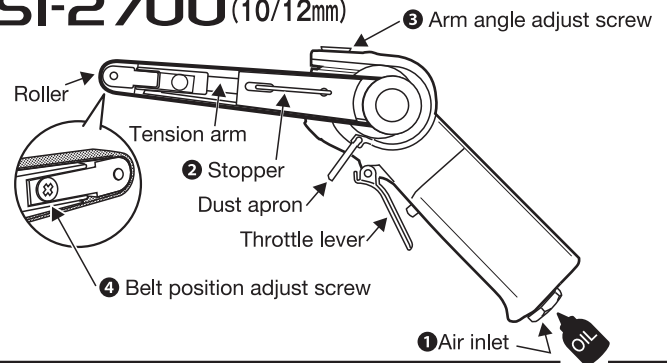


How to Adjust Roller Position

If the belt paper width is dislocated, tighten or loosen the belt position adjust screw **4** with \oplus driver, and adjust it so as to center the belt paper.

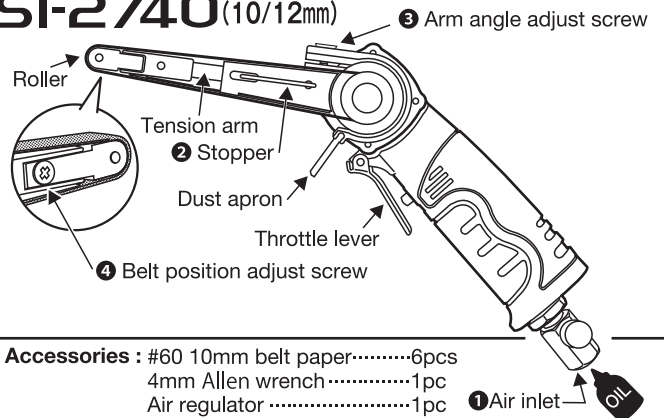


SI-2700 (10/12mm)



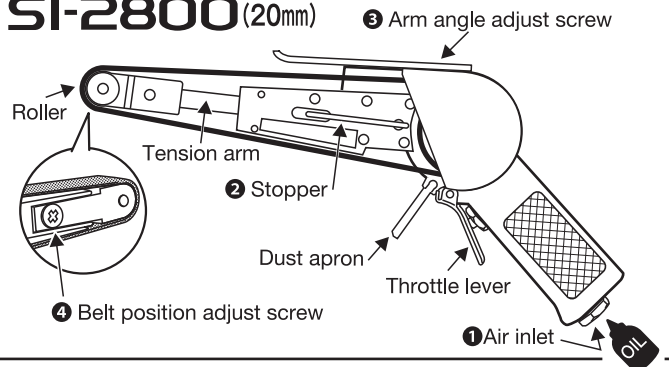
Accessories : #60 10mm belt paper.....6pcs
4mm Allen wrench.....1pc
Safety instructions (1)

SI-2740 (10/12mm)



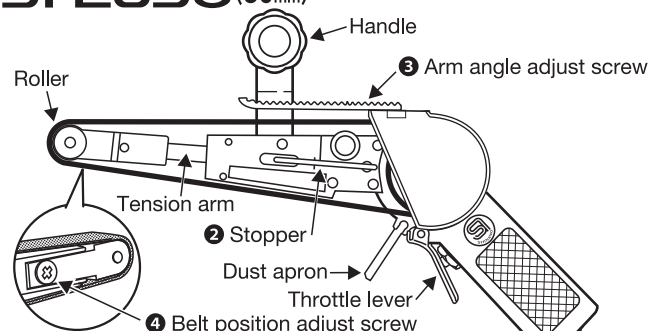
Accessories : #60 10mm belt paper.....6pcs
4mm Allen wrench.....1pc
Air regulator1pc
Safety instructions (1)

SI-2800 (20mm)



Accessories : #60 20mm belt paper.....6pcs
4mm Allen wrench.....1pc
Safety instructions (1)

SI-2830 (30mm)



Accessories : #60 30mm belt paper.....6pcs
4mm Allen wrench.....1pc
Safety instructions (1)

SI-2700 / SI-2740 / SI-2800 / SI-2830

Model Number	Belt Size mm	Free Speed rpm	Out Put Watt	Weight kg/(lb)	Noise Level dBA/(power)	Vibration a/k m/s ²	Avg. Air Consumption CFM	Air Inlet Size in.	Hose Size mm/(in.)
SI-2700	10×330	15,000	317	0.82 (1.82)	86/(99)	2.2 / 0.7	3.3	1/4	10/(3/8)
SI-2740	10×330	15,000	317	0.73 (1.61)	85/(96)	1.0 / 0.6	3.3	1/4	10/(3/8)
SI-2800	20×520	15,000	429	1.43 (3.14)	84/(95)	3.0 / 0.8	3.8	1/4	10/(3/8)
SI-2830	30×540	10,000	582	2.02 (4.45)	86/(97)	1.6 / 0.6	5.3	1/4	10/(3/8)

Noise levels according to ISO 15744:2008, ISO 11203:2009

Vibration level according to ISO 28927:12

WARNING

- Never use the belt paper where failure such as brakage.
- Confirm operation within the maximum circumferential speed and rpm.
- Before use, make sure the belt paper is firmly installed to the tool in place and no misalignment.

CAUTION

- Careless drop of the tool will result in damage of the tool or components. Therefore, be sure to politely handle the tool.
- Operate the tool within the air pressure of 0.63Mpa (6.5kg/cm²). If operated in high pressure, the maximum allowance speed will be exceeded, which may result in damage of components.
- Before or after daily use, lubricate a few drops of air tool oil from the hose attached port.
- The compressed air containing dust or/and moisture will result in damage of tool. Be sure to operate the tool with air through the drainage and air filter.
- If revolution failure or/and irregular noise occurred, do not continue operation furthermore. Forced operation of tool may result in serious troubles.
- Regarding to this product, if inconvenient claims or troubles occurred, contact the product distributor.

 **SHINANO INC.**

<http://www.shinanoinc.com>

MADE IN JAPAN