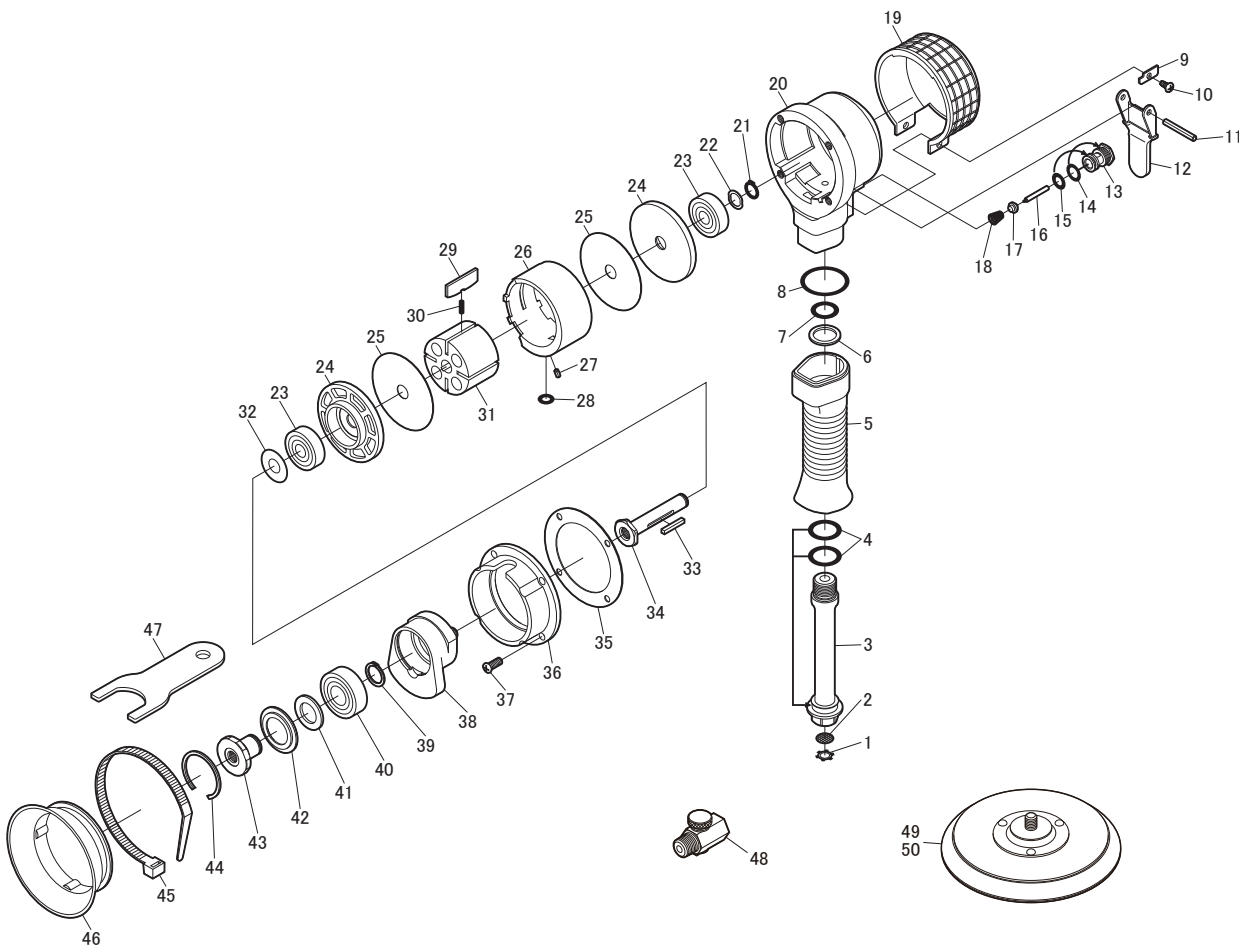


# SI-DS6-5L(M) 5" Dual Action Sander



Ref. No.	Parts No.	Description	Q'ty	Ref. No.	Parts No.	Description	Q'ty
1	CRTW-12	Retainer	1	26	482-39TP	Cylinder	1
2	680-28A	Screen	1	27	30-6	Roll Pin(3ø-6mm)	1
3	482AK-8	Bushing	1	28	P-7	O-Ring	1
4	P-18	O-Ring	2	29	470-9	Rotor Blade	4
5	482AK-7B	Dead Handle	1	30	490-1	Blade Spring	2
6	482AK-11	Washer	1	31	482-6TS	Rotor	1
7	S-14	O-RING	1	32	481-10	Spacer(Brass)	1
8	S-30	O-Ring	1	33	482-16	Key	1
9	482-45	Retainer	2	34	482K-3	Shaft	1
10	JBM40---80	Screw	2	35	470-49	Gasket	1
11	40-30	Roll Pin(4ø-30mm)	1	36	481-47	Balancer Cover	1
12	482K-11	Throttle Lever	1	37	A-M50--120	Screw	4
13	482K-8	Valve Body	1	38	482K-4	Balancer	1
14	S-10	O-Ring	1	39	JS-15	Retaining Ring	1
15	P-8	O-Ring	1	40	620ZZ	Ball Bearing	1
16	482K-9	Valve Pin	1	41	485A-11	Felt Ring	1
17	455-21	Valve	1	42	482K-2	Spacer	1
18	490-20	Valve Spring	1	43	482K-7	Random Shaft	1
19	485A-2	Housing Cover	1	44	BR-35	Retaining Ring	1
20	482AK-6	Motor Housing	1	45	482-58	Housing Band	1
21	IS-10	Retaining Ring	1	46	482K-6B	Balancer Cover	1
22	WW-100	Wave Washer	1	47	241-27	Spanner Wrench (28mm)	1
23	6200ZZ	Ball Bearing	2	48	181-45	Air Regulator	1
24	482K-1	Bearing Case	2	☆ 49	PE-125H	5" Leather Pad	1
25	490-3A	End Plate	2	★ 50	ME-125H	5" Velcro Pad	1