

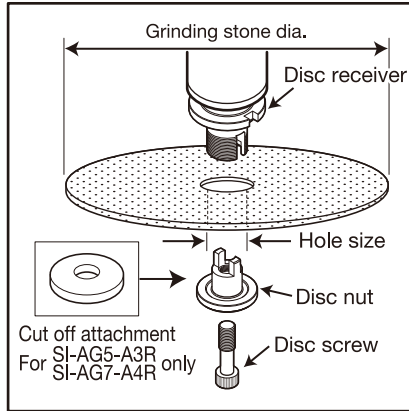
INSTRUCTION MANUAL FOR HEAVY DUTY DISC GRINDER

Rotary Twist Switch

Operation Procedures

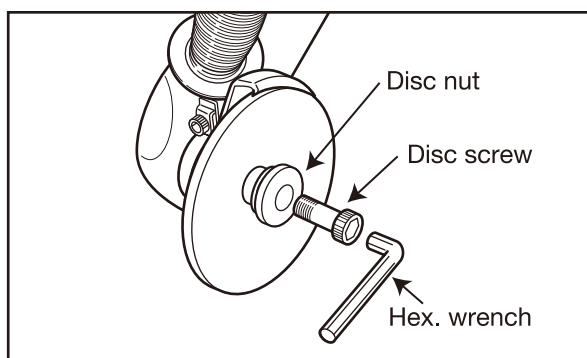
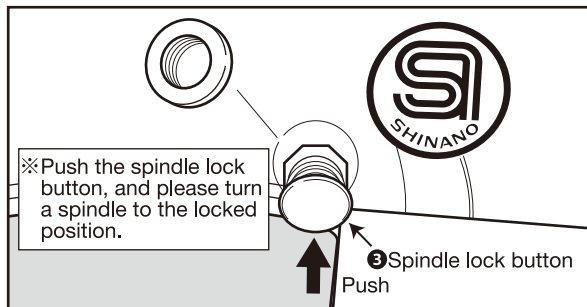
1. Connect the coupler to the air inlet ❶ on the rear side of tool.

2. Make sure the disc cover ❷ is firmly mounted in place. Make sure the diameters of the grinding stone and the hole are suit each tool.

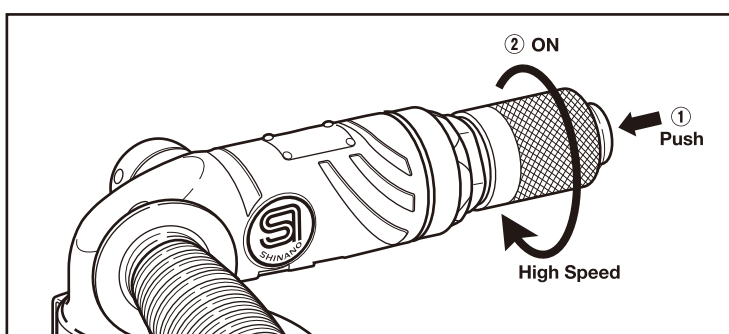


3. Pour approx. 0.5cc (2 to 3 drops) of the oil through the coupler. Connect it to the air hose, and run for 3 to 5 seconds to circulate the oil.

4. When the grinding stone is installed, press the spindle lock button ❸ at the angle head, and the spindle will stop. Turn it counterclockwise with the Hex. wrench, and firmly tighten the spindle.

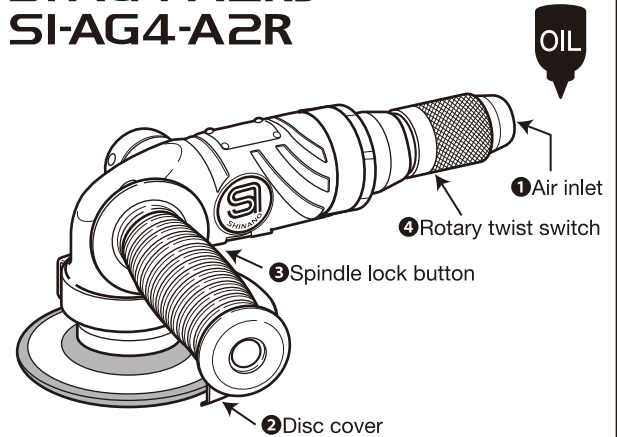


5. The start switch is a rotary twist switch type ❹. Push it and turn it counterclockwise.



SI-AG4-A2RJ SI-AG4-A2R

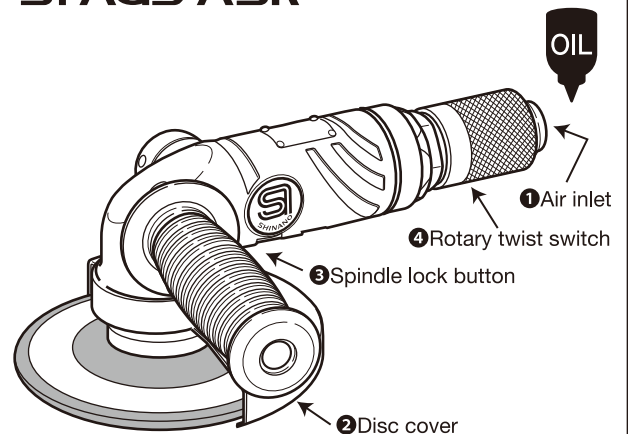
Max. rpm:13,500rpm



Accessories : Hex. wrench (1), Dead handle (1)
Safety instructions (1)

SI-AG5-A3R

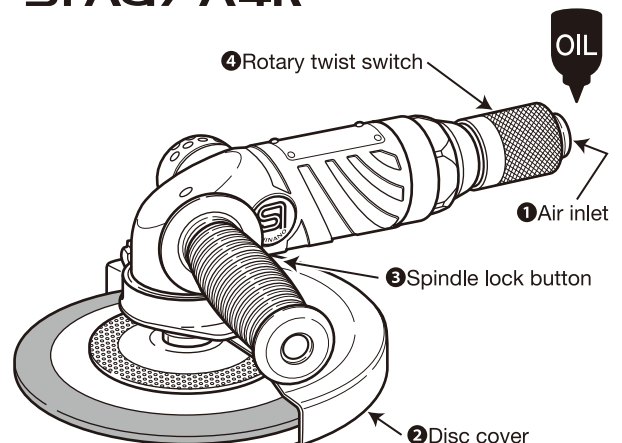
Max. rpm:12,000rpm



Accessories : Hex. wrench (1), Dead handle (1)
Safety instructions (1)

SI-AG7-A4R

Max. rpm:7,600rpm



Accessories : Hex. wrench (1), Dead handle (1)
Safety instructions (1)

SI-AG4-A2RJ / SI-AG4-A2R / SI-AG5-A3R / SI-AG7-A4R

Rotary Twist Switch

WARNING

- Never use the edge of grinding stone.
- Never use without the disc cover.
- Never install the grinding stone where failure such as breakage, abnormal abrasion, crack, and chip has been found.
- Confirm operations within the maximum circumferential speed and rpm, as indicated on the grinding stone.
- Before use, make sure the grinding stone is firmly installed to the tool in place and no misalignment.

CAUTION

- Careless drop of the tool will result in damage of the tool or components. Therefore, be sure to politely handle the tool.
- Operate the tool within the air pressure of 0.63Mpa (6.5kg/cm²). If operated in high pressure, the maximum allowance speed will be exceeded, which may result in damage of components.
- Before or after daily use, lubricate a few drops of air tool oil from the hose attached port.
- The compressed air containing dust or/and moisture will result in damage of tool. Be sure to operate the tool with air through the drainage and air filter.
- If revolution failure or/and irregular noise occurred, do not continue operation furthermore. Forced operation of tool may result in serious troubles.
- Regarding to this product, if inconvenient claims or troubles occurred, contact the product distributor.