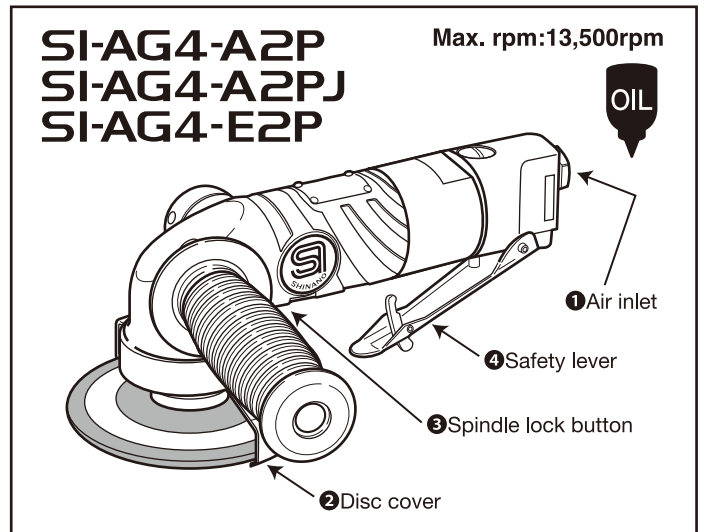
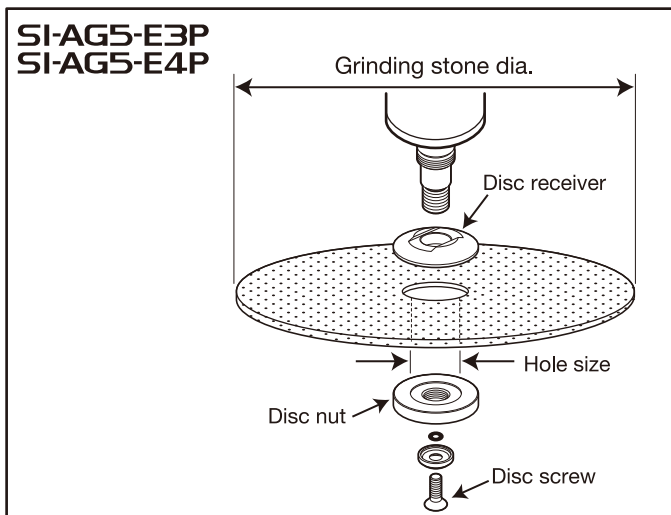
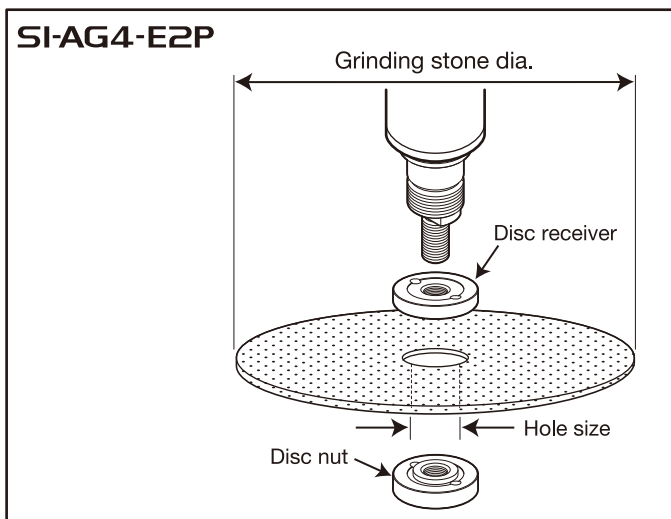
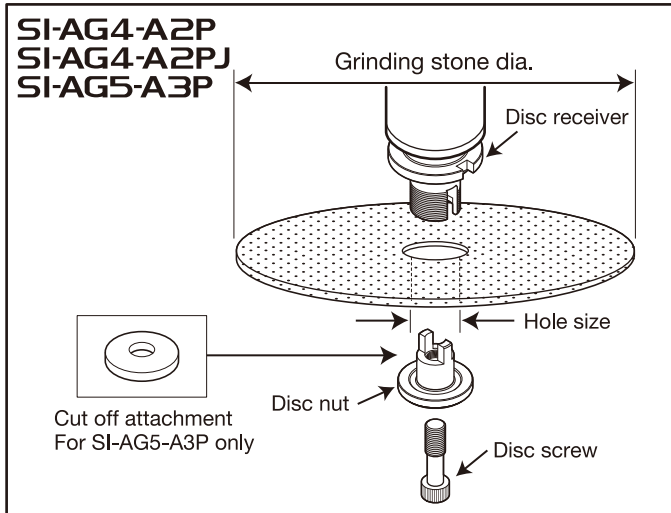


INSTRUCTION MANUAL FOR HEAVY DUTY DISC GRINDER

Palm Grip-Safety Lever

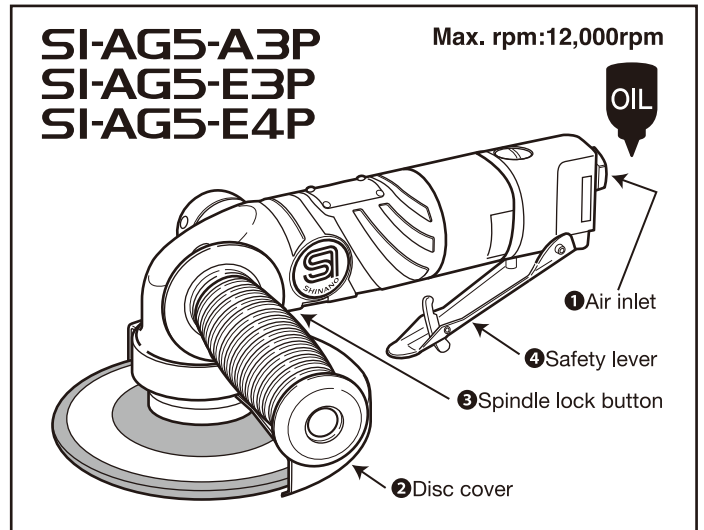
Operation Procedures

1. Connect the coupler to the air inlet ① on the rear side of tool.
2. Make sure the disc cover ② is firmly mounted in place. Make sure the diameters of the grinding stone and the hole are suit each tool.



Accessories :
SI-AG4-A2P/SI-AG4-A2PJ
 Hex. wrench (1), Dead handle (1), Safety instructions (1)

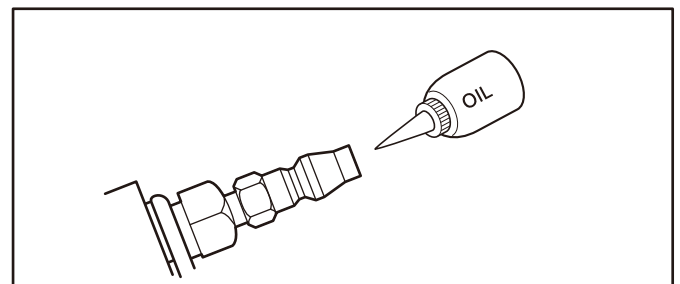
SI-AG4-E2P
 Pin spanner (1), Dead handle (1), Safety instructions (1)



Accessories :
SI-AG5-A3P
 Hex. wrench (1), Dead handle (1), Safety instructions (1)

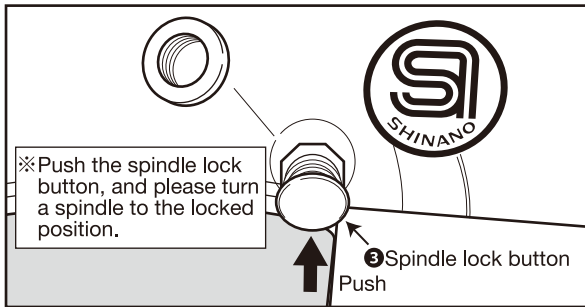
SI-AG5-E4P/SI-AG5-E3P
 Pin spanner (1), Hex. wrench (1), Dead handle (1), Safety instructions (1)

3. Pour approx. 0.5cc (2 to 3 drops) of the oil through the coupler. Connect it to the air hose, and run for 3 to 5 seconds to circulate the oil.

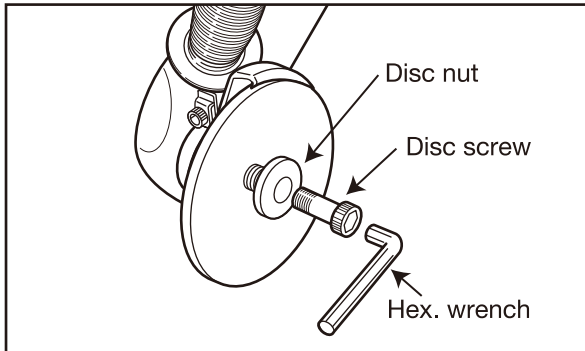


Palm Grip-Safety Lever

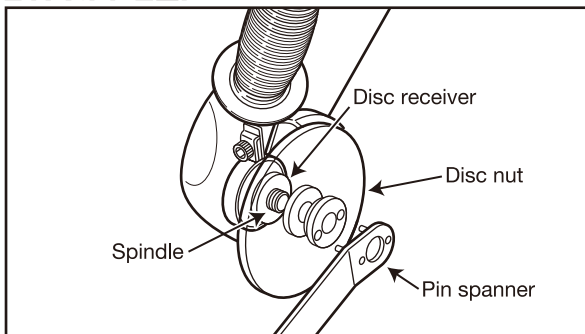
4. When the grinding stone is installed, press the spindle lock button ③ at the angle head, and the spindle will stop. Turn it counterclockwise and firmly tighten the spindle.



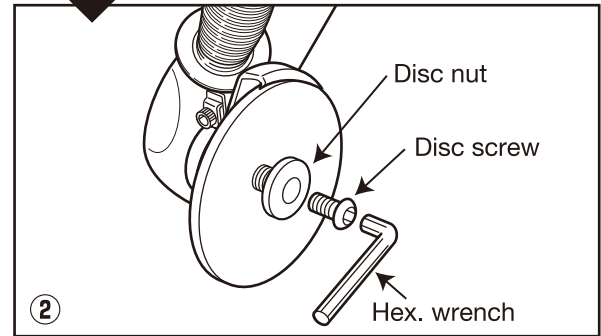
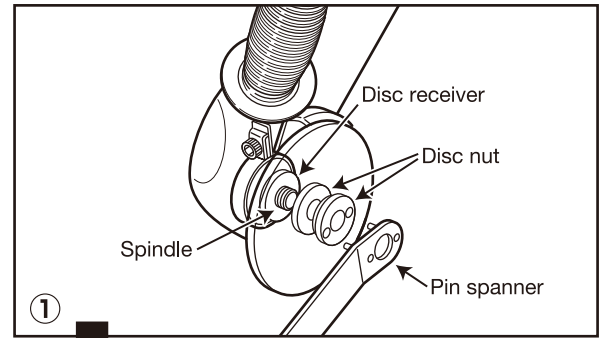
SI-AG4-A2P/SI-AG4-A2PJ SI-AG5-A3P



SI-AG4-E2P

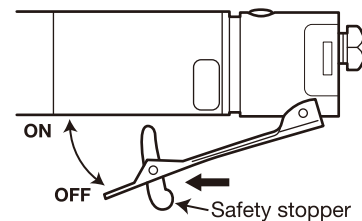


SI-AG5-E3P/SI-AG5-E4P



5. The start switch is a safety lever ④ with safety stopper. The safety lever will be locked automatically. Press the safety stopper to release the lock.

<Safety lever>



⚠ WARNING

- Never use the edge of grinding stone.
- Never use without the disc cover.
- Never install the grinding stone where failure such as breakage, abnormal abrasion, crack, and chip has been found.
- Confirm operations within the maximum circumferential speed and rpm, as indicated on the grinding stone.
- Before use, make sure the grinding stone is firmly installed to the tool in place and no misalignment.

⚠ CAUTION

- Careless drop of the tool will result in damage of the tool or components. Therefore, be sure to politely handle the tool.
- Operate the tool within the air pressure of 0.63Mpa (6.5kg/cm²). If operated in high pressure, the maximum allowance speed will be exceeded, which may result in damage of components.
- Before or after daily use, lubricate a few drops of air tool oil from the hose attached port.
- The compressed air containing dust or/and moisture will result in damage of tool. Be sure to operate the tool with air through the drainage and air filter.
- If revolution failure or/and irregular noise occurred, do not continue operation furthermore. Forced operation of tool may result in serious troubles.
- Regarding to this product, if inconvenient claims or troubles occurred, contact the product distributor.

 **SHINANO INC.**

<http://www.shinanoinc.co.jp>

MADE IN JAPAN