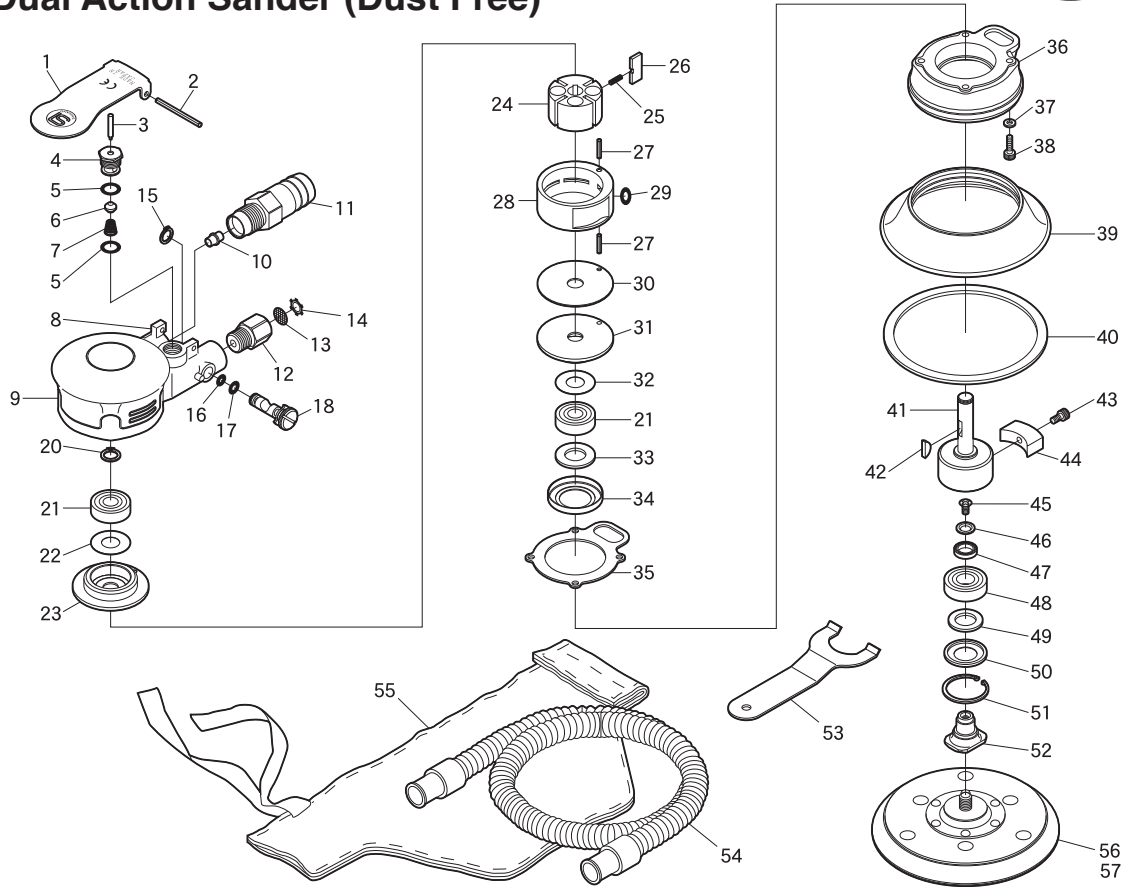


SI-3111LG

5" Dual Action Sander (Dust Free)

SI-3111-6LG

6" Dual Action Sander (Dust Free)



Ref. No.	Parts No.	Description	Q'ty	Ref. No.	Parts No.	Description	Q'ty
1	1040-11B	Throttle Lever	1	33	570-1	Felt Ring	1
2	30-40	Roll Pin(3ø-40mm)	1	34	481-9	Seal Cover	1
3	455-11	Valve Pin	1	35	1040-9	Motor Gasket	1
4	490-4	Valve Body	1	36	1041-10B	Balancer Cover	1
5	S-10	O-Ring	2	37	1040-19	Washer	4
6	455-21	Valve	1	38	Z-632--127	Cap Screw	4
7	490-20	Valve Spring	1	39	1044-2	Pad Cover	1
8	1040-1	Motor Housing	1	40	1041-18U5	Felt Ring	1
9	1044-1A	Housing Cover	1	41	1044-4	Balancer Shaft	1
10	1040-12	Nozzle	1	42	480-23	Key	1
11	1040-45D	Defuser	1	43	Z-M40---80	Cap Screw	1
12	180-1	Inlet Bushing	1	44	1044-3	Balancer	1
13	680-28A	Screen	1	45	E-M40---80	Screw	1
14	CRTW-12	Retainer	1	46	1044-6	Washer	1
15	JS-8	Retaining Ring	1	47	1040-24	Collar	1
16	P-4	O-Ring	1	48	6001DDW	Ball Bearing	1
17	P-5	O-Ring	1	49	1041-50	Felt	1
18	485-4	Air Regulator	1	50	1041-51	Seal Plate	1
20	JS-10	Retaining Ring	1	51	BO-28	Retaining Ring	1
21	6000-ZZ	Ball Bearing	2	52	1044-5	Random Shaft	1
22	890-1PB	Seal Plate	2	53	1041-56	Spanner Wrench	1
23	1040-5C	Bearing Case C	1	54	1040-54	Dust Hose	1
24	1040-4	Rotor	1	55	485-42	Dust Pack	1
25	490-1	Blade Spring	2	56	ME-125HD	5" Velcro Pad	1
26	1040-17	Rotor Blade	4	57	PE-125HD	5" Leather Pad	1
27	25-14	Roll Pin(2.5ø-14mm)	2	★ 58	M-150HD 6	6" Velcro Pad	1
28	1040-2	Cylinder	1	★ 59	P-150HD 6	6" Leather Pad	1
29	P-7	O-Ring	1	☆ 60	M-150HD 9	6" Velcro Pad	1
30	1040-6C	End Plate	1	☆ 61	P-150HD 9	6" Leather Pad	1
31	1040-5	End Plate	1	☆ 62	M-150HD 3-9	6" Velcro Pad	1
32	890-1PB	Seal Plate	1	☆ 63	P-150HD 3-9	6" Leather Pad	1