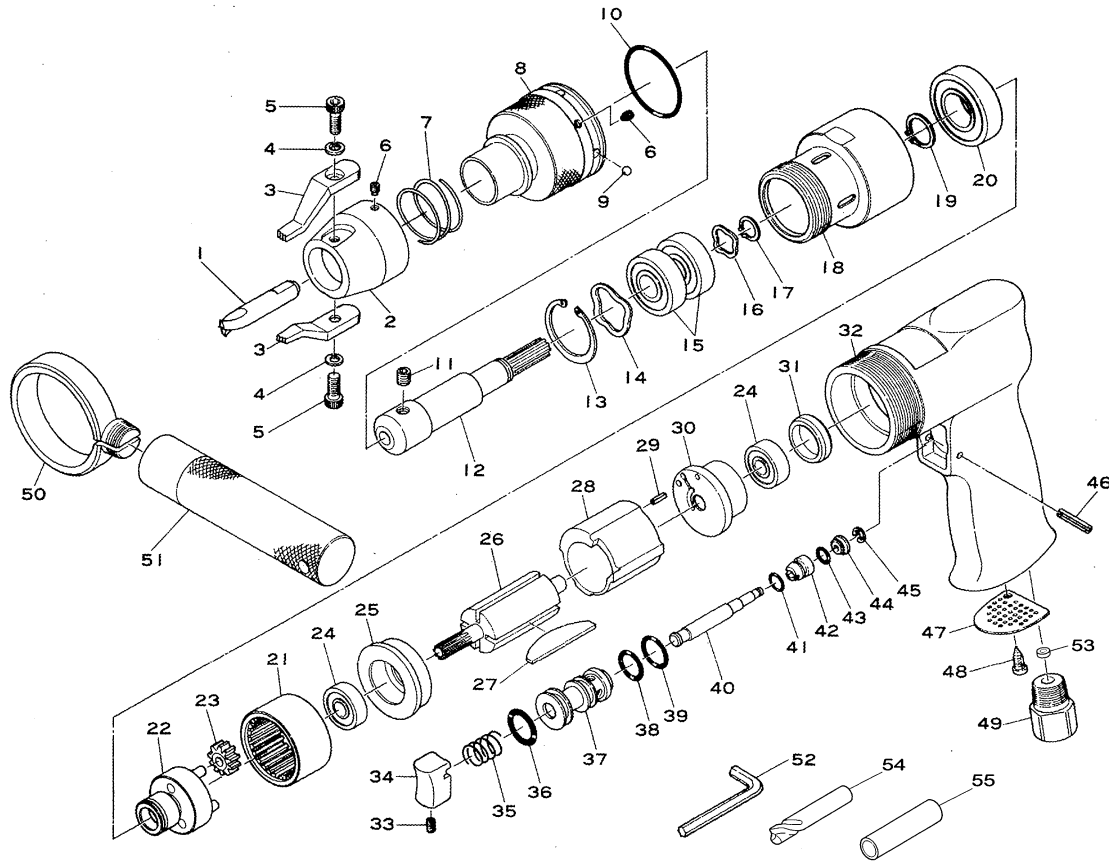


# SI-5850

## Spot Mill



Ref. No.	Parts No.	Description	Q'ty	Ref. No.	Parts No.	Description	Q'ty
1	271-17	8φ mm Milling Cutter	1	29	15-6	Roll Pin (1.5φ-6mm)	1
2	1212-5	Guide Holder	1	30	300-4	Rear Plate	1
3	1212-6	Guide	2	31	680-34	Bearing Cap	1
4	HSW-40	Washer	2	32	210-1	Motor Housing incl. Steel Ball (SB-1/4)	1
5	Z-M40-60	Cap Screw	2	33	R-M40-60	Set Screw	1
6	R2-M30-50	Set Screw	4	34	120-18	Trigger	1
7	1212-7	Spring	1	35	120-31	Valve Spring	1
8	1212-3	Adjust Ring	1	36	P-11	O-Ring	1
9	SB-30	Steel Ball	4	37	1212-22	Valve Body	1
10	G-30	O-Ring	1	38	P-10	O-Ring	1
11	ROM50-50	Set Screw	1	39	S-12	O-Ring	1
12	1212-4	Milling Cutter Chuck	1	40	1212-23	Valve Stem	1
13	JO-26	Retaining Ring	1	41	S-6	O-Ring	1
14	BWW-629	Wave Washer	1	42	1212-24	Main Valve	1
15	6000-LLUC2	Ball Bearing	2	43	S-5	O-Ring	1
16	WW-100	Wave Washer	1	44	1212-25	2nd Valve	1
17	JS-10	Retaining Ring	1	45	JE-2	Retaining Ring	1
18	1212-1	Clamp Nut	1	46	25-20	Roll Pin (2.5φ-20mm)	1
19	JS-15	Retaining Ring	1	47	220-6	Deflector	1
20	6002	Ball Bearing	1	48	JBM40-80	Screw	1
21	217-10	Internal Gear	1	49	680-18	Inlet Bushing	1
22	1212-2	Reduction Spindle incl. Pins (300-21x3)	1	50	215-8-4	Clamp Ring	1
23	210-8	Planet Gear	3	51	940-48	Handle	1
24	626	Ball Bearing	2	52	WRA-2.5	2.5mm Allen Wrench	1
25	210-11	Front Plate	1	53	1212-51	Restrictor	1
26	210-13	Rotor	1	◆54	271-70	6.5φ mm Milling Cutter	
27	301-15	Rotor Blade	4	◆55	271-71	Sleeve for 6.5φ mm Milling Cutter	
28	800-1	Cylinder	1				