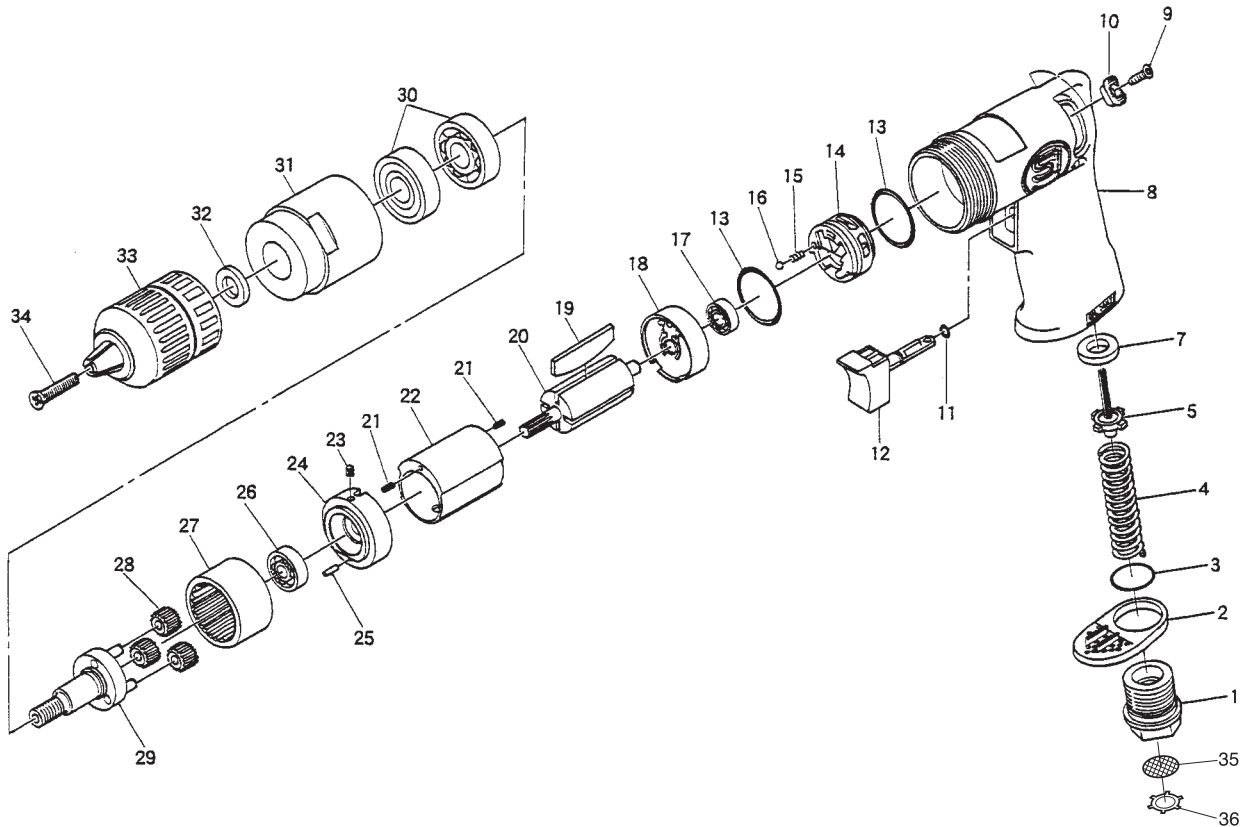


SI-5505

3/8" Planetary Gear Drill-Reversible



Ref. No.	Parts No.	Description	Q'ty	Ref. No.	Parts No.	Description	Q'ty
1	991-5	Inlet Bushing	1	20	210-13	Rotor	1
2	216-5	Deflector	1	21	15-6	Roll Pin (1.5ø-6mm)	2
3	991-7	O-Ring	1	22	119D-2	Cylinder	1
4	991-8	Valve Spring	1	23	25-3.5	Roll Pin (2.5ø-3.5mm)	1
5	960-35	Valve	1	24	210R-5	Front Plate	1
6	30-32	Roll Pin (3ø-32mm)	1	25	1500-68	Pin	1
7	960-34	Valve Seat	1	26	626	Ball Bearing	1
8	210R-8	Motor Housing	2	27	210R-6	Internal Gear	1
9	EZM30-100	Screw	2	28	210-8	Planet Gear	3
10	210R-4	Reverse Lever	1	29	215-40	Work Spindle incl. Pins (300-21×3)	1
11	216-6	O-Ring	1	30	6201Z	Ball Bearing	2
12	911A-9	Trigger	2	31	215-41	Clamp Nut	1
13	210R-7	O-Ring	1	32	680-7	Spacer	1
14	210R-2	Reverse Valve	1	33	LX10	3/8" Cap, Keyless Chuck (3/8" Thd.)	1
15	960-50	Spring	1	34	215-1	Chuck Screw	1
16	SB-1/8	Steel Ball	1	35	680-28A	Screen	1
17	696ZZ	Ball Bearing	1	36	CRTW-12	Retainer	1
18	210R-3	Rear Plate	1				
19	301-15	Rotor Blade	4				