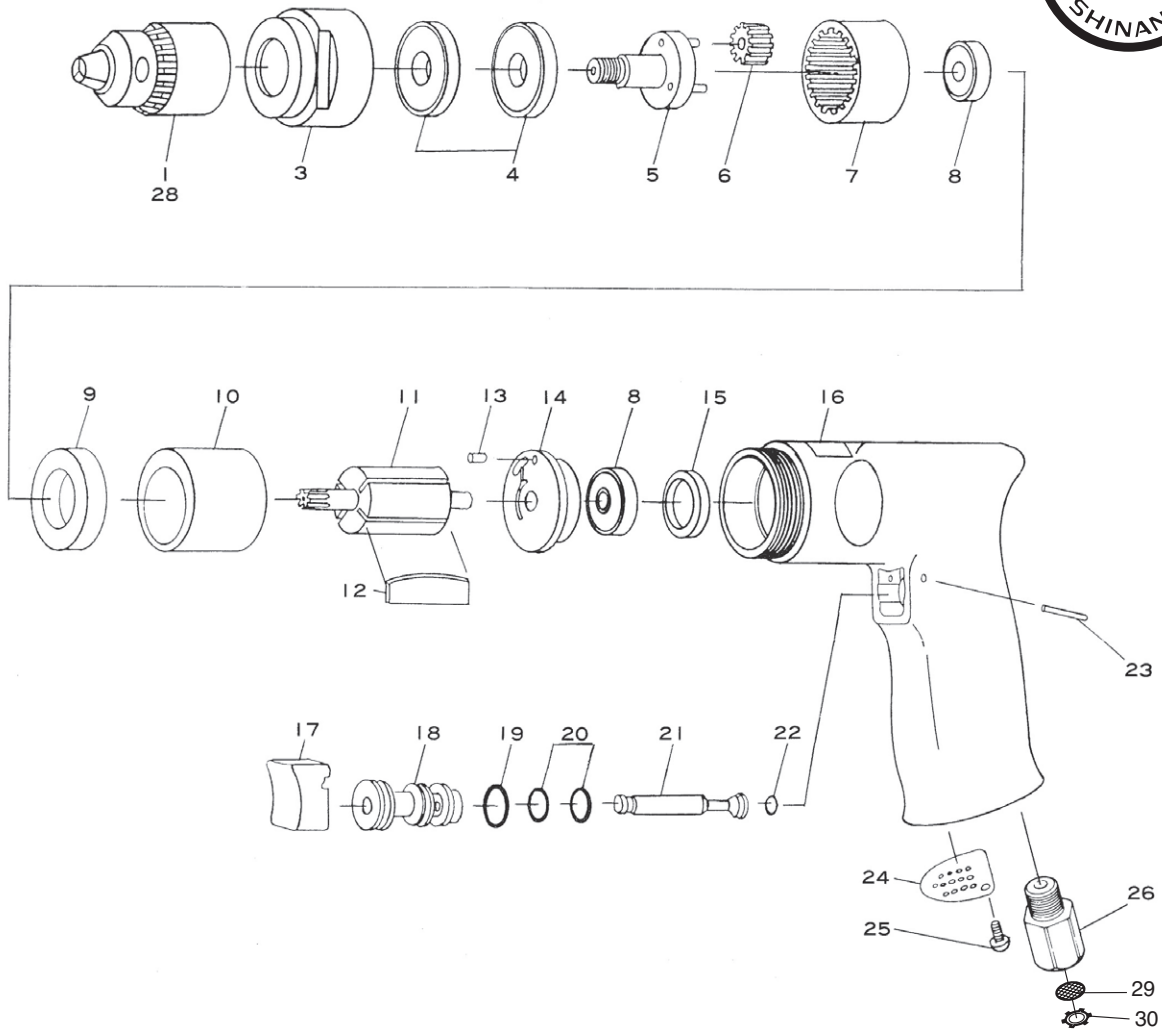


# SI-5500

## 3/8" Drill



| Ref. No. | Parts No. | Description                             | Q'ty | Ref. No. | Parts No. | Description                         | Q'ty |
|----------|-----------|---|------|----------|-----------|-------------------------------------|------|
| 1        | KD-002    | 3/8" Drill Chuck w/Handle KG1           | 1    | 17       | 220-2     | Trigger                             | 1    |
| 3        | 210-15    | Clamp Nut                               | 1    | 18       | 220-31    | Valve Body                          | 1    |
| 4        | 6201Z     | Ball Bearing                            | 2    | 19       | P-11      | O-Ring                              | 1    |
| 5        | 220-10    | Planet Cage incl. Pins (300-21x3)       | 1    | 20       | P-10      | O-Ring                              | 2    |
| 6        | 210-8     | Planet Gear                             | 3    | 21       | 120-14    | Valve Stem                          | 1    |
| 7        | 217-10A   | Internal Gear                           | 1    | 22       | P-4       | O-Ring                              | 1    |
| 8        | 626       | Ball Bearing                            | 2    | 23       | 25-20     | Roll Pin (2.5 $\phi$ -20mm)         | 1    |
| 9        | 210-11    | Front Plate                             | 1    | 24       | 220-6     | Deflector                           | 1    |
| 10       | 800-1     | Cylinder                                | 1    | 25       | JBM40-80  | Screw                               | 1    |
| 11       | 210-13    | Rotor                                   | 1    | 26       | 680-18    | Inlet Bushing                       | 1    |
| 12       | 301-15    | Rotor Blade                             | 4    | * 27     | KG1       | Chuck Handle for KD-002             | 1    |
| 13       | 15-6      | Roll Pin (1.5 $\phi$ -6mm)              | 1    | ◆ 28     | LX10      | 3/8" Cap, Keyless Chuck (3/8" Thd.) |      |
| 14       | 300-4     | Rear Plate                              | 1    | 29       | 680-28A   | Screen                              | 1    |
| 15       | 680-34    | Bearing Cap                             | 1    | 30       | CRTW-12   | Retainer                            | 1    |
| 16       | 210-1SI   | Motor Housing incl. Steel Ball (SB-1/4) | 1    |          |           |                                     |      |