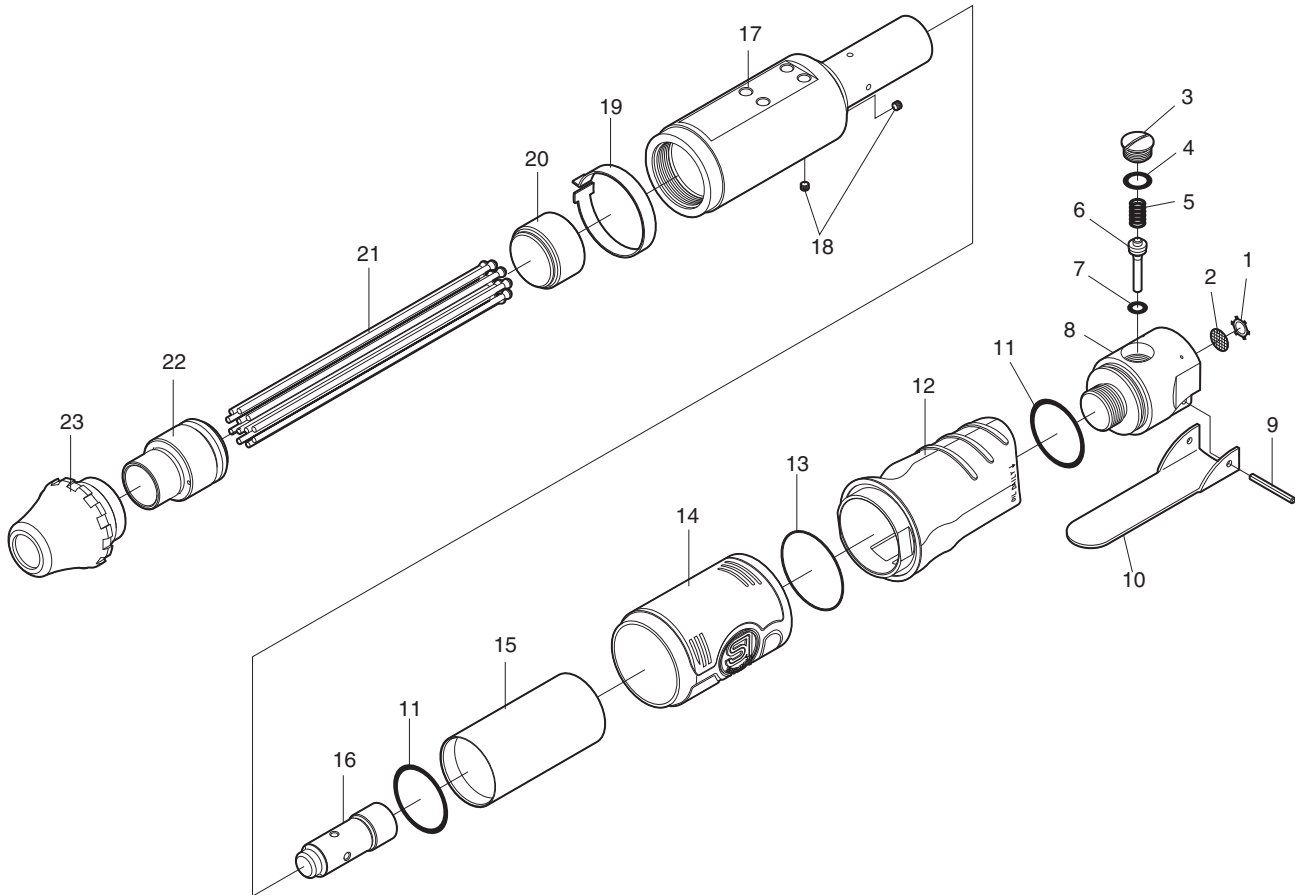


SI-4150EX

Needle Scaler



| Ref. No. | Parts No. | Description | Q'ty | Ref. No. | Parts No. | Description | Q'ty |
|----------|-----------|------------------------------------|------|----------|------------|-------------------------------------|------|
| 1 | CRTW-12 | Retainer | 1 | 13 | S-46 | O-ring | 1 |
| 2 | 680-28A | Screen | 1 | 14 | 821-2SI | Front Grip | 1 |
| 3 | 230-68 | Valve Screw | 1 | 15 | 820-2 | Sleeve | 1 |
| 4 | P-10 | O-Ring | 1 | 16 | 820-7 | Piston | 1 |
| 5 | 230-4 | Valve Spring | 1 | 17 | 820-5 | Cylinder incl. Screws(ROM40---30x2) | 1 |
| 6 | 230-6 | Valve Stem | 1 | 18 | ROM40---30 | Set Screw | 2 |
| 7 | P-6 | O-Ring | 1 | 19 | 820-3 | Safety Lock | 1 |
| 8 | 820-10 | Valve Body incl. Valve Bush(230-7) | 1 | 20 | 820-8 | Anvil | 1 |
| 9 | 30-30 | Roll Pin(3ø-30mm) | 1 | 21 | 820-11 | Needle | 12 |
| 10 | 430-3 | Throttle Lever | 1 | 22 | 820-9 | Needle Holder | 1 |
| 11 | JASO-1033 | O-Ring | 2 | 23 | 820-6 | Top Cover | 1 |
| 12 | 820A-1 | Rear Grip | 1 | | | | |