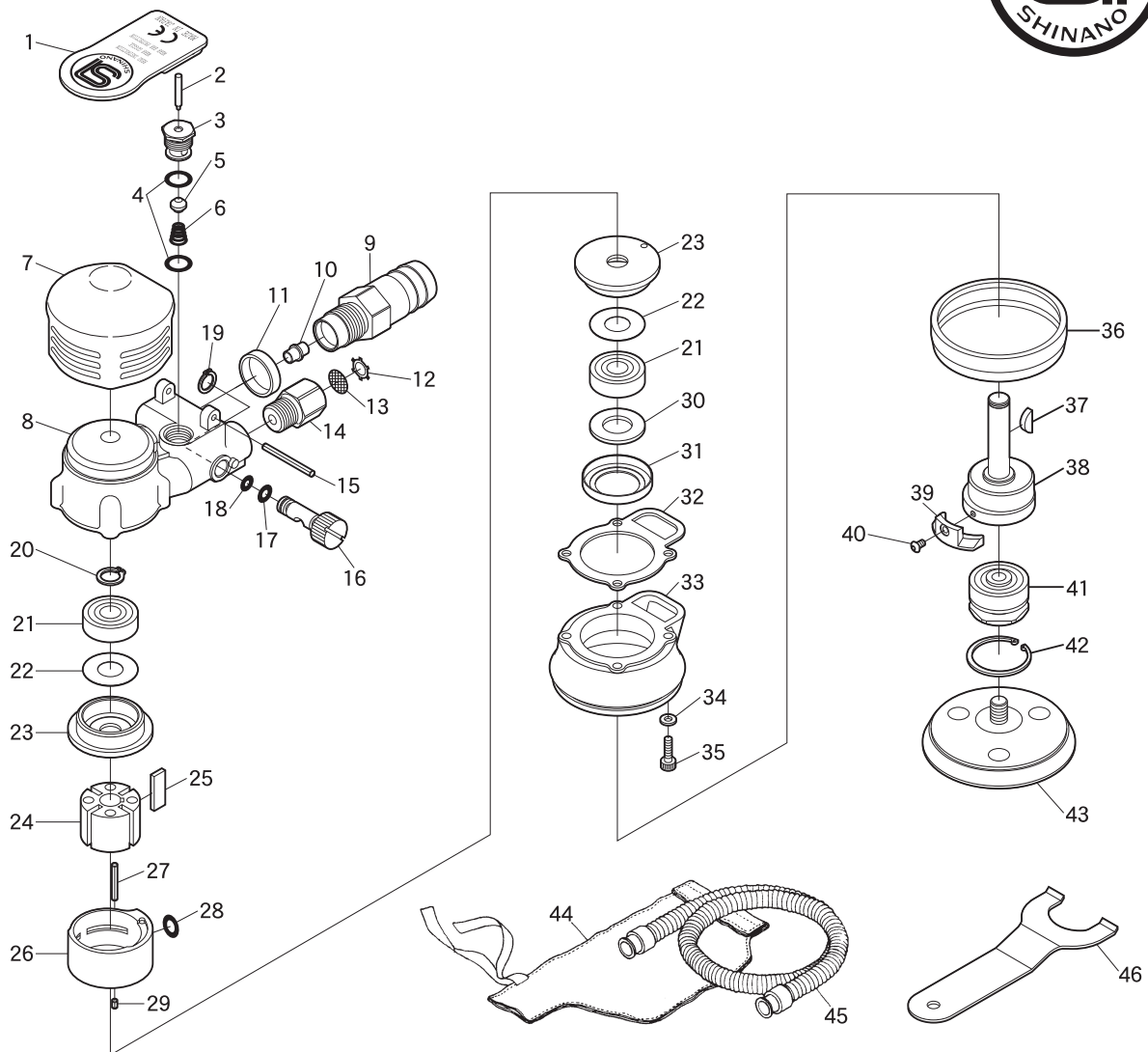


SI-3112-M

D/A Sander



Ref. No.	Parts No.	Description	Q'ty	Ref. No.	Parts No.	Description	Q'ty
1	1031-2	Throttle Lever	1	26	1031-4B	Cylinder	1
2	455-11	Valve Pin	1	27	25-24	Roll Pin (2.5 ϕ -24mm)	1
3	490-4	Valve Body	1	28	P-7	O-Ring	1
4	S-10	O-Ring	2	29	25-4	Roll Pin (2.5 ϕ -4mm)	1
5	455-21	Valve	1	30	570-1	Felt Ring	1
6	490-20	Valve Spring	1	31	1031-8	Seal Cover	1
7	1031-3	Housing Cover	1	32	1031-9	Motor Gasket	1
8	1031-1	Motor Housing	1	33	1031-10	Motor Retainer	1
9	1040-45D	Defuser	1	34	1040-19	Washer	4
10	1040-12	Nozzle	1	35	Z-632--127	Cap Screw	4
11	1031-15	Defuser Collar	1	36	1031-18	Pad Cover	1
12	CRTW-12	Retainer	1	37	480-23	Key	1
13	680-28A	Screen	1	38	1031-16	Balancer Shaft	1
14	180-1	Inlet Bushing	1	39	1031-17A	Balancer Weight	1
15	30-32	Roll Pin(3 ϕ -32mm)	1	40	AZM30---50	Screw	1
16	485-4A	Regulator	1	41	1031-11AS	Random Shaft Assy incl. Felt, Spacer & Ball Bearing	1
17	P-5	O-Ring	1	42	BO-28	Retaining Ring	1
18	P-4	O-Ring	1	43	1031-101	3" Velcro Pad	1
19	JS-8	Retaining Ring	1	44	485-42	Dust Pack	1
20	JS-10	Retaining Ring	1	45	1040-54	Dust Hose	1
21	6000ZZ	Ball Bearing	2	46	1041-56	Spanner Wrench	1
22	890-1PB	Seal Plate	2				
23	1031-5	End Plate	2				
24	1031-12	Rotor	1				
25	1031-14	Rotor Blade	4				