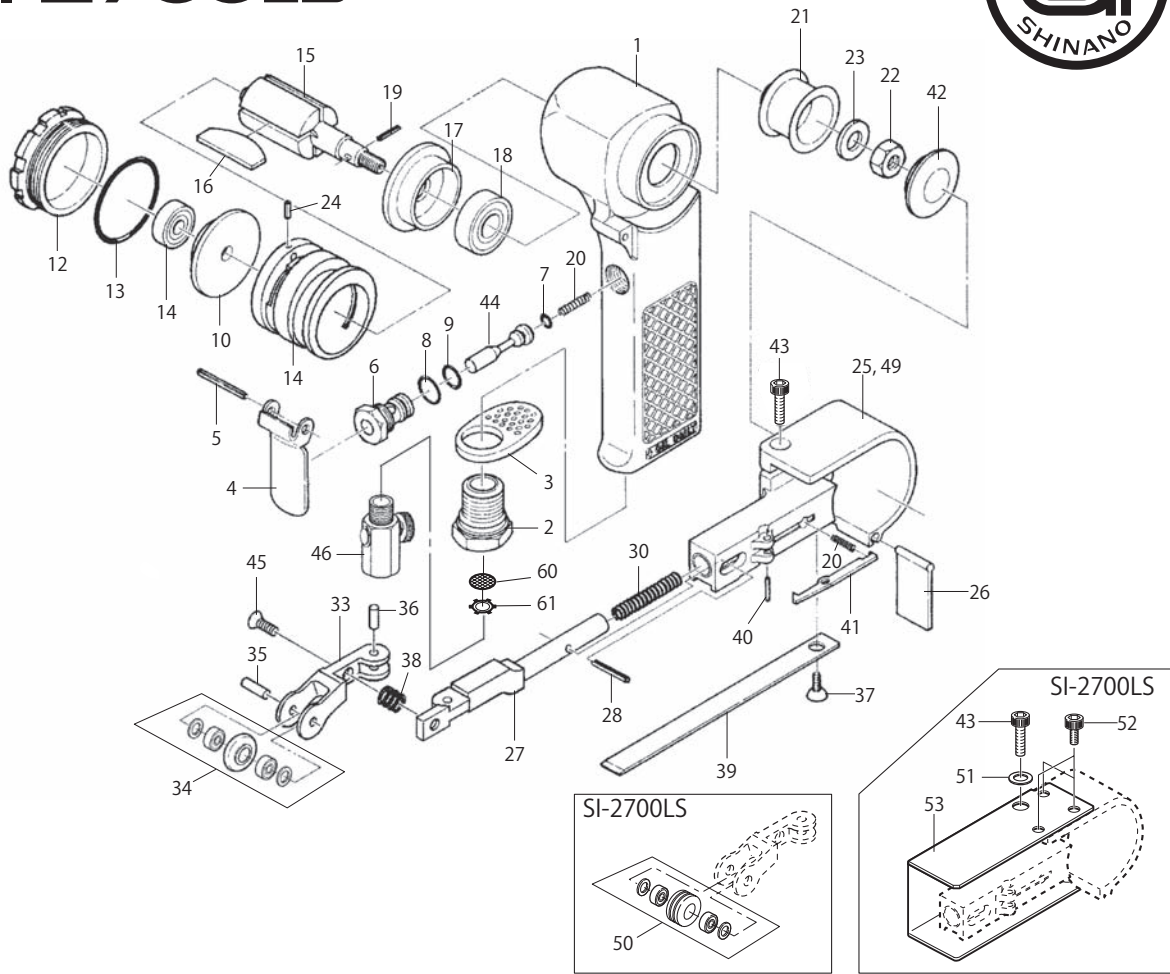


SI-2700L 10×460 mm Belt Sander

SI-2700LS 13×460 mm Belt Sander



Ref. No.	Parts No.	Description	Q'ty	Ref. No.	Parts No.	Description	Q'ty
1	509-1	Motor Housing	1	33	509LK-7	Adjust Arm	1
2	509-2	Inlet Bushing	1	34	509LK-100	Idle Pulley Assy	1
3	509-3	Deflector	1	35	509M-3	Pulley Pin	1
4	509-4	Throttle Lever	1	36	40-10	Roll Pin(4ø-10mm)	1
5	30-24	Roll Pin(3ø-24mm)	1	37	E-M40--120	Screw	1
6	485-5	Valve Body	1	38	509LK-5	Adjust Spring	1
7	P-4	O-Ring	1	39	509LK-6	Shoe	1
8	S-10	O-Ring	1	40	25-10	Roll Pin(2.5ø-10mm)	1
9	P-8	O-Ring	1	41	509-42	Stopper	1
10	509-11	Rear Plate	1	42	509-43	Pulley Cap	1
11	626	Ball Bearing	1	43	Z-1024-150	Screw	1
12	509-13	Motor Nut	1	44	485-1	Valve Stem	1
13	450-35	O-Ring	1	45	E-M50--140	Screw	1
14	509-15	Cylinder	1	◆46	181-45	Air Regulator	1
15	509-16	Rotor	1	★47	509LK-102	Adjust Arm Assy (+No.33,34,35,36,38,45)	1
16	509-17	Rotor Blade	4	★48	509LK-103	Tension Arm Assy (+No.27,28,33,34,35,36,38,45)	1
17	509-18	Front Plate	1	☆49	509LK-26K	Wheel Cover incl. Insert Spacer(509-32)	1
18	6000-ZZ	Ball Bearing	1	☆50	509LK-101	Idle Pulley Assy	1
19	520-17	Pin	1	☆51	145-16-5	Cup Spring	1
20	482-46	Valve Spring	2	☆52	Z-M40--60	Cap Screw	4
21	509-22	Drive Pulley	1	☆53	509-100	Belt Cover	1
22	N2-M80	Nut	1	☆54	509LK-104	Adjust Arm Assy (+No.33,35,36,38,45,50)	1
23	PW-80	Washer	1	☆55	509LK-105	Tension Arm Assy (+No.27,28,33,35,36,38,45,50)	1
24	20-6	Roll Pin(2ø-6mm)	1	☆56	509LK-106	13mm Sanding Belt Grit # 60	5
★25	509-26	Wheel Cover incl. Insert Spacer(509-32)	1	★57	509-130	10mm Felt Belt Grit # 60	1
26	509-28	Apron	1	★58	509-131	10mm Felt Belt Grit # 150	1
27	509LK-8	Tension Arm	1	★59	509-132	10mm Felt Belt Grit # 320	1
28	509-30	Stopper Pin	1	60	680-28A	Screen	1
30	509LK-4	Tension Spring	1	61	CRTW-12	Retainer	1