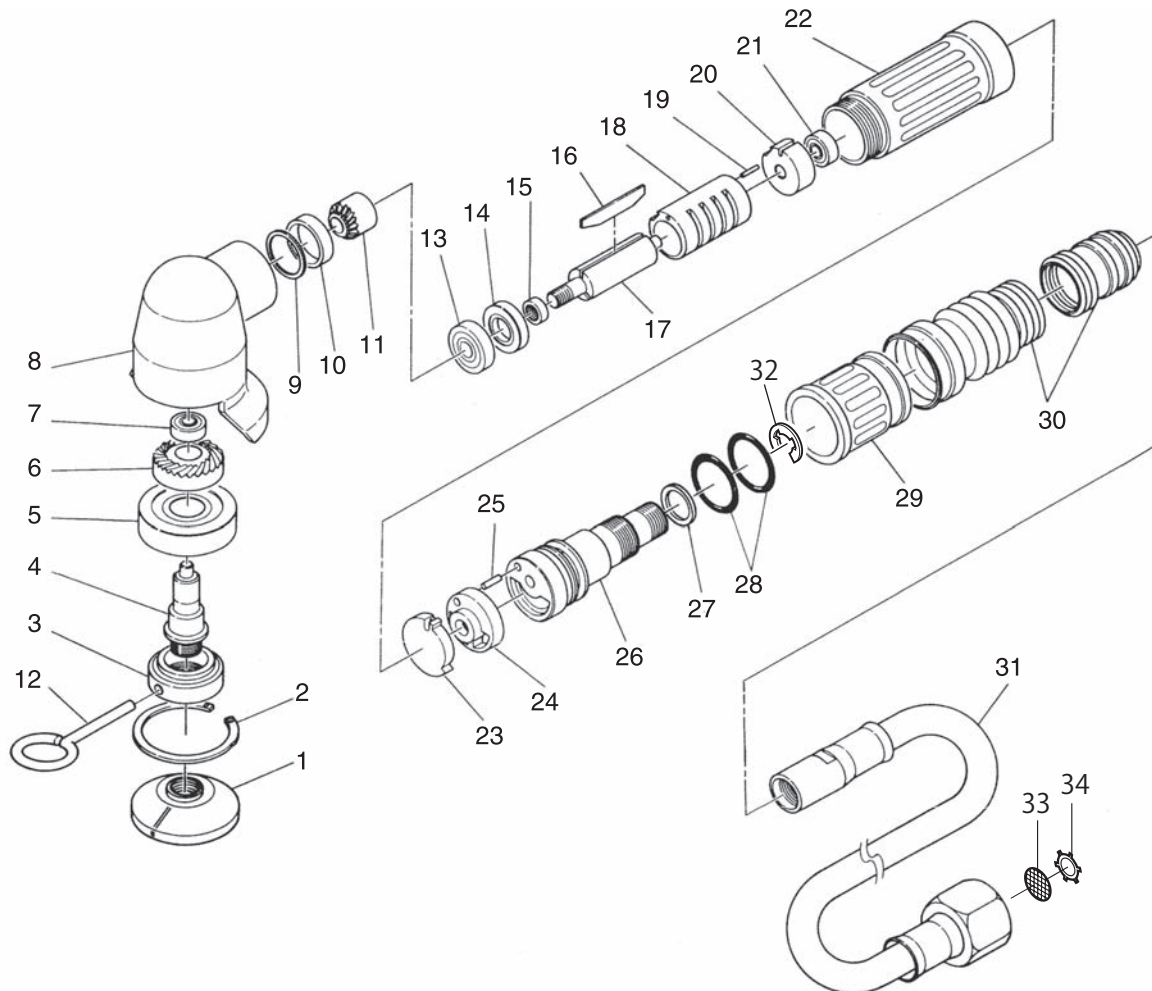


# SI-2050AG

## High Speed Angle Grinder(21,000r.p.m)



Ref. No.	Parts No.	Description	Q'ty	Ref. No.	Parts No.	Description	Q'ty
1	340-57	30ømm Disc	1	19	340-16	Cylinder Pin	1
2	310-60	Retaining Ring	1	20	340-15	Rear Plate	1
3	340-45	Disc Receiver	1	21	693ZZ	Ball Bearing	1
4	340-35	Spindle	1	22	340-20	Motor Housing	1
5	608ZZ	Ball Bearing	1	23	340-17	Spacer	1
6	340-41	Bevel Gear	1	24	340-18	Connector	1
7	693ZZ	Ball Bearing	1	25	1500-68	Pin	1
8	340-32	Angle Head	1	26	340-21	Valve Body	1
9	340-22	Shim	1	27	340-54	Washer	1
10	340-47	Pinion Collar	1	28	340-23	O-Ring	2
11	340-40	Pinion Gear	1	29	340-24	Valve Ring	1
12	340-53	Lock Pin	1	30	340-26	Exhaust Hose	1
13	604ZZ	Ball Bearing	1	31	340-25	Wipe Hose Assy. incl. (340-25A, 340-25B, 340-25D)	1
14	340-12	Front Plate	1	32	IE-8	Retaining Ring	1
15	340-29	Rotor Collar	1	33	680-28A	Screen	1
16	340-11	Rotor Blade	3	34	CRTW-12	Retainer	1
17	340-10	Rotor	1				
18	340-14	Cylinder	1				